

## -- All the Right Spaces --

### **All the Right Spaces Construction Specifications**

All units are crafted out of  $\frac{3}{4}$ " plywood sides, top and bottom  $\frac{3}{4}$ " X  $1\frac{3}{4}$ " solid wood side face frames and  $\frac{3}{4}$ " X  $3\frac{1}{4}$ " solid wood face frames top and bottom and  $\frac{1}{4}$ " plywood backs.

All universal roll out receptors are  $\frac{3}{4}$ " Plywood with  $\frac{3}{4}$ " x 1" solid wood face frame.

Roll out components are  $\frac{3}{4}$ " plywood with solid wood face and sides.

Standard shelves are  $\frac{3}{4}$ " plywood with wood veneer face.

Shoe shelves are  $\frac{3}{4}$ " plywood with wood veneer face and solid wood  $\frac{3}{4}$ " X  $\frac{1}{2}$ " shoe stop.

Standard drawer boxes are  $\frac{1}{2}$ " dove tail plywood box with  $\frac{1}{4}$ " plywood bottom dado cut into sides front and back with  $\frac{3}{4}$ " solid wood drawer front.

Upgraded drawer boxes are  $\frac{5}{8}$ " birch hardwood box, pocket screwed, with  $\frac{1}{4}$ " plywood bottom dado cut into sides, front, and back with  $\frac{3}{4}$ " solid hardwood drawer front.

All face frame pieces are attached with glue and pocket screws.

All field-assembled joints are precut for biscuit joint and screws provided for assembly of units.

All unit components are pre assembled for ease of installation and shipped with all hardware for installation.

All drawers and pull out components have full extension side mount slides with 100 lb capacity.

-- All the Right Spaces --

**Unit size**

**All units are 16 3/4" total depth— 15 7/8" inside depth**

Width (A)	Height (B)	Height (B)	Height (B)
18"	34 1/2"	84"	90"
21"	34 1/2"	84"	90"
24"	34 1/2"	84"	90"
27"	34 1/2"	84"	90"
30"	34 1/2"	84"	90"
33"	34 1/2"	84"	90"
36"	34 1/2"	84"	90"

Corner unit: Includes 5 shelves

29 x 29	84"	90"	N/A
---------	-----	-----	-----

\*Note: Height (B) 34 1/2" is for island use—See special instructions, page 3. Please use island top/bench order form.

\*Please note special instructions for island use: If using single cabinet for island, cabinet must be secured to floor to avoid tip over potential when drawers are open. When installing back-to-back island, it is still suggested to mount cabinets to floor but not as important as with single sided cabinet installation.

Island units are suitable for rods, shelves, and shoe shelves. Drawers can be used on the bottom half of the unit. Any other application will need to be factory assembled and then will be non-adjustable. Custom quotes and special shipping rates apply.

Shoe bench available in 24", 27", and 30" wide.

16 3/4" deep 18" tall—comes with one adjustable shelf

Refer to page 3

Shoe bench top 17 1/4" wide available in 26", 29", and 32" lengths

3/4" thick with solid wood face with round over on the top edge

Island Unit top—Specify width and length

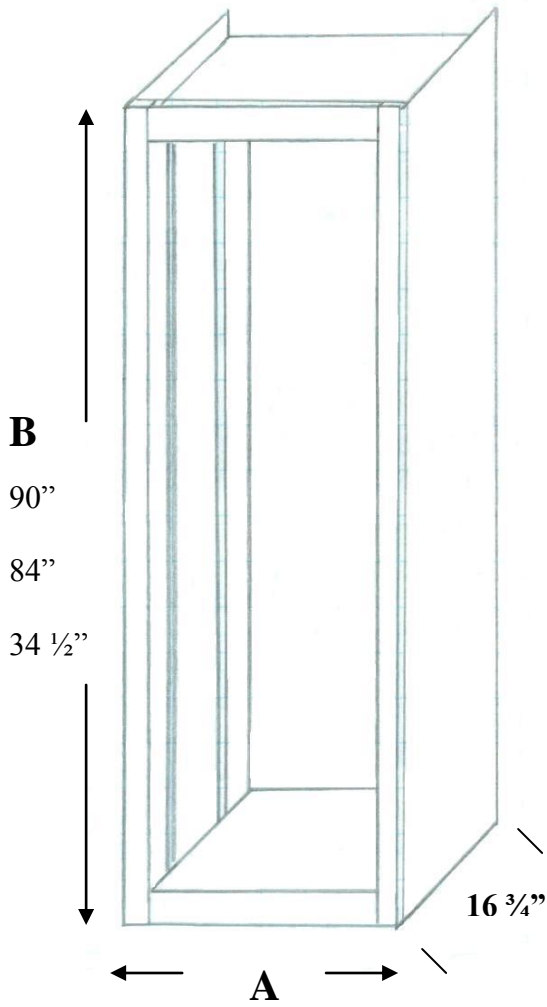
1 1/2" thick on build up edges, solid wood face with round over on top edge

For custom sizes or custom construction please use custom quote form. Allow 72 hours for custom quotes.

-- All the Right Spaces --

-- All the Right Spaces --

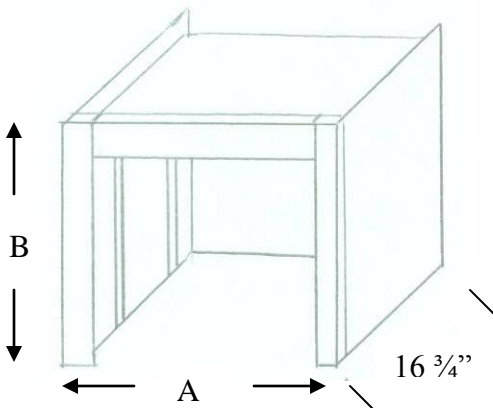
### Basic Unit



A	B	B	B
18"	34 1/2"	84"	90"
21"	34 1/2"	84"	90"
24"	34 1/2"	84"	90"
27"	34 1/2"	84"	90"
30"	34 1/2"	84"	90"
33"	34 1/2"	84"	90"
36"	34 1/2"	84"	90"

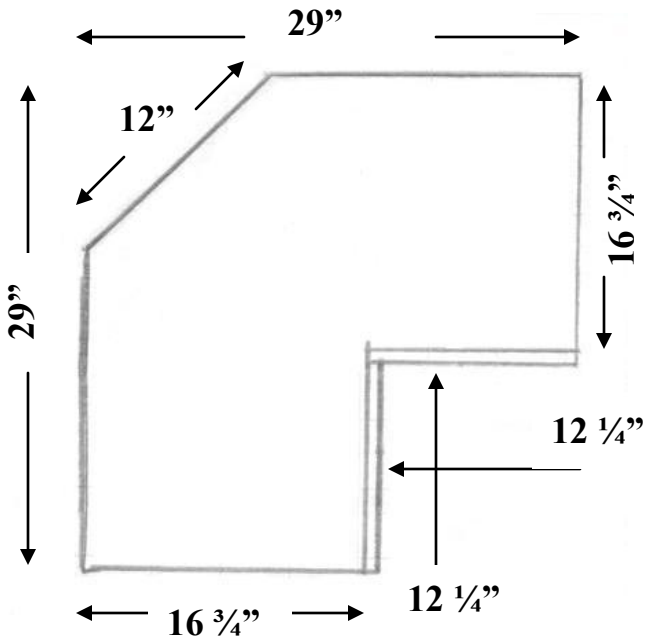
NOTE: 34 1/2" tall units for island use or short wall applications, 84" tall units for 24" deep closet areas will tilt in thru bi-fold or bypass door areas

### Shoe Bench



A	B
24	18
27	18
30	18

-- All the Right Spaces --



### Corner Units

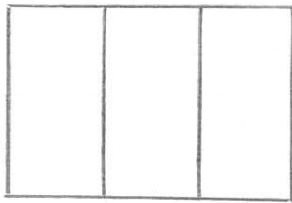
Available 84" and 90" tall only

- Comes standard with 5 adjustable shelves and 6 clips per shelf
- There are 6 tracks in corner units
- Please note on Corner units a minimum 2/4 (28") doorway into the closet is required to move the corner unit into the closet area if unit is assembled

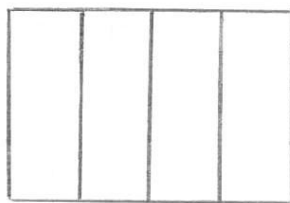
### Divided Drawer Options

\* Any drawer can be divided, dividers stop 1/2" below the side and back of drawer height

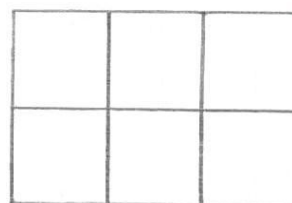
**3 Way Divided**



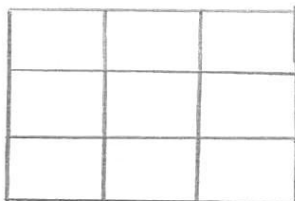
**4 Way Divided**



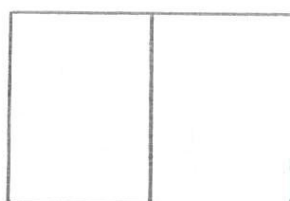
**6 Way Divided**



**9 Way Divided**



**Split**



-- All the Right Spaces --

**Miscellaneous Trim and Finish Pieces**

Crown mould—2 ¼” standard 3 5/8” standard 3 5/8 Shaker style	8’ lengths 10’ lengths- Must ship LTL
Top shelf trim material	8’ lengths only
Wall mounting cleat	½”x 3”x 96” AC Ply No finish
Filler— ¾ ” x 1 ½”x 90” ¾” x 3” x 90”	Finish 1 face and 2 edges
Scribe— ¼”x 1”x 90”	Finish 1 face and 2 edges
Top shelf material— ¾ ”x 16 ½”x 96”	Plywood Finish 1 side
Fluted face trim—3/8”x 2 ¼”x 90”	Finish 2 edges and face- flutes begin at 3”
Finish end panel—16 ¾”x 90”x ¼”	Finished 1 side
Island panel back— ¼ ”x 34 ½”(t) x 48”(w)	
O/S corner mould for island— 1”x 1”x72” for unit—1”x 1” x 90”	Finish
Center scribe for island— ¼”x ¾”x 72”	Finish 2 edge and face
Furniture base— ¾”x 2 ½”x 8’	
Additional shelf clips	
Additional rod clips	
Roll out rubber clip bumpers	Clear
Shelf and rollout bumpers	Brown
Replacement rollout hardware	Sold in pairs only
Replacement side tracks	
Finish spray	
Clear finish	
Stain	
Putty	
Framed mirror finish end 15” x 78”	Requires finish end skin
Wood hangers	
Framed wall mirror 24” x 54”	Finished all sides
Corner unit shelf	Finished all sides

-- All the Right Spaces --

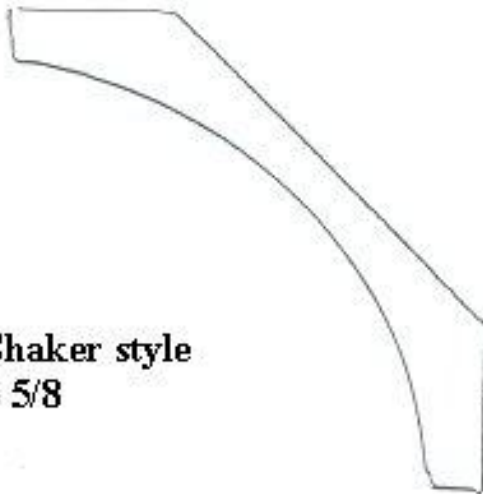
### Trim Profile Page



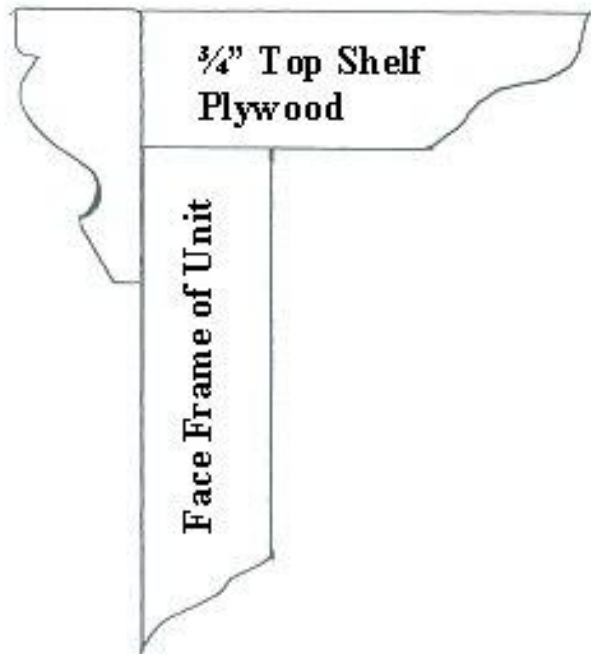
**Standard  
2 1/4" Crown**



**Standard  
3 5/8" Crown**



**Shaker style  
3 5/8"**



-- All the Right Spaces --

**Closet Options**  
**X Indicates options will work in unit size**

Option	Unit Size							
	Pg	18"	21"	24"	27"	30"	33"	36"
Hanging Rod		X	X	X	X	X	X	X
Shelf		X	X	X	X	X	X	X
Shoe shelf	13	X	X	X	X	X	X	X
Flat roll out shelf	14		X	X	X	X	X	X
Sweater Roll out shelf	14			X	X	X	X	X
Roll out laundry with door and hamper	15					X	X	X
Trouser roll out	13				X	X	X	X
4" Drawer	11		X	X	X	X	X	X
6" Drawer	11		X	X	X	X	X	X
8" Drawer	12		X	X	X	X	X	X
12" Drawer	12		X	X	X	X	X	X
Tie rack pull out		X	X	X	X	X	X	X
Belt rack pull out		X	X	X	X	X	X	X
Peg rack pull out		X	X	X	X	X	X	X
Valet rod pull out		X	X	X	X	X	X	X
Purse divider	15		X	X	X	X	X	X

Additional corner shelves for corner unit

**Drawer Options**

3 way divided drawer  
 4 way divided drawers  
 6 way divided drawers  
 9 way divided drawers

} Refer to page 4

Cedar bottom drawers

Jewelry Inserts—start at 21" drawer—Acrylic with black velvet bottom

Soft Close available only on drawers



-- All the Right Spaces --

## Pantry Options

Option	Unit Size							
	Pg	18"	21"	24"	27"	30"	33"	36"
Shelf		X	X	X	X	X	X	X
Flat roll out	14		X	X	X	X	X	X
Stand roll out	14		X	X	X	X	X	X
Can roll out	17			X	X	X	X	X
Spice roll out	17			X	X	X	X	X
Wine bottle roll out	16			X	X	X	X	X
Divided roll out—3 section	17			X	X	X	X	X
Trash roll out	16				X	X	X	X
Trash roll out with door	16				X	X	X	X
Vegetable roll out	18				X	X	X	X
4" drawer	11		X	X	X	X	X	X
6" drawer	11		X	X	X	X	X	X
8" drawer	12		X	X	X	X	X	X
12" drawer	12		X	X	X	X	X	X
Pan divider	15			X	X	X	X	X
Bottle divider	18			X	X	X		

## Drawer Options

Split divided  
3 way divided  
4 way divided  
6 way divided  
9 way divided

} Refer to page 4

-- All the Right Spaces --

**Universal Roll Out Receptor**

For use with all roll out and drawer components. Includes all hardware clips and side blocks for drawer or roll out shelf components.

Receptor size is specified to match unit size where it is to be used.

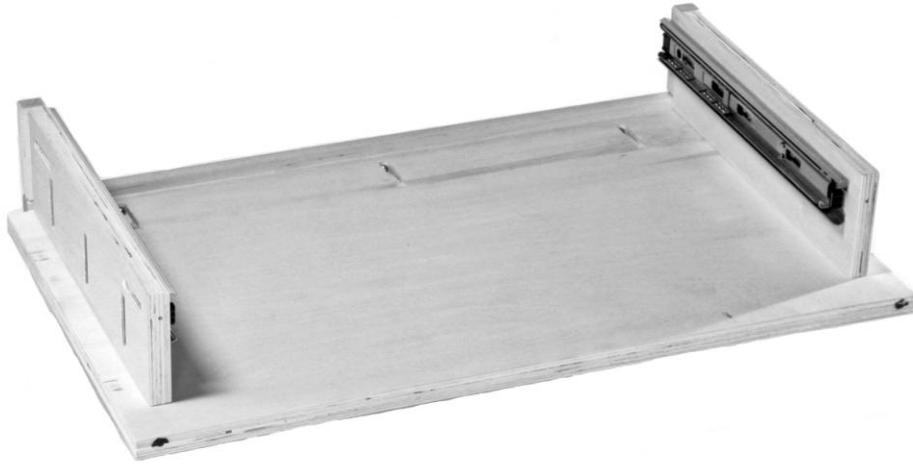
<b>Receptor Size</b>	<b>Unit Size</b>						
	18"	21"	24"	27"	30"	33"	36"
18"	N/A						
21"		X					
24"			X				
27"				X			
30"					X		
33"						X	
36"							X

Refer to page 10 and page 20.

Example: If you were ordering 1-4" 1-6" 2-12" drawers and 1 laundry pull out for a 36" unit, you would order as follows:

- 1-4" drawer 36"
- 1-6" drawer 36"
- 2-12" drawer 36"
- 1-ROLD 36 (Laundry basket with door)
- 5-URR 36 (Universal roll out receptor)

-- All the Right Spaces --



### **Universal Drawer and Roll Out Receptor**



-- All the Right Spaces --



**4" Drawer  
with divided option shown**



**6" Drawer**

-- All the Right Spaces --



**8" Drawer**



**12" Drawer**

-- All the Right Spaces --



**Shoe Shelf**



**Trouser Roll Out**

-- All the Right Spaces --



**Stand Roll Out/ Sweater Roll Out**

\* Dividers Available\*



**Flat Roll Out Shelf**

-- All the Right Spaces --



**Purse and Pan Rack Divider**



**Trash/ Laundry Roll Out  
With Door**



-- All the Right Spaces --



**Trash/ Laundry Roll Out  
No Door**



**Wine Bottle Roll Out**

-- All the Right Spaces --



**Spice Roll Out**



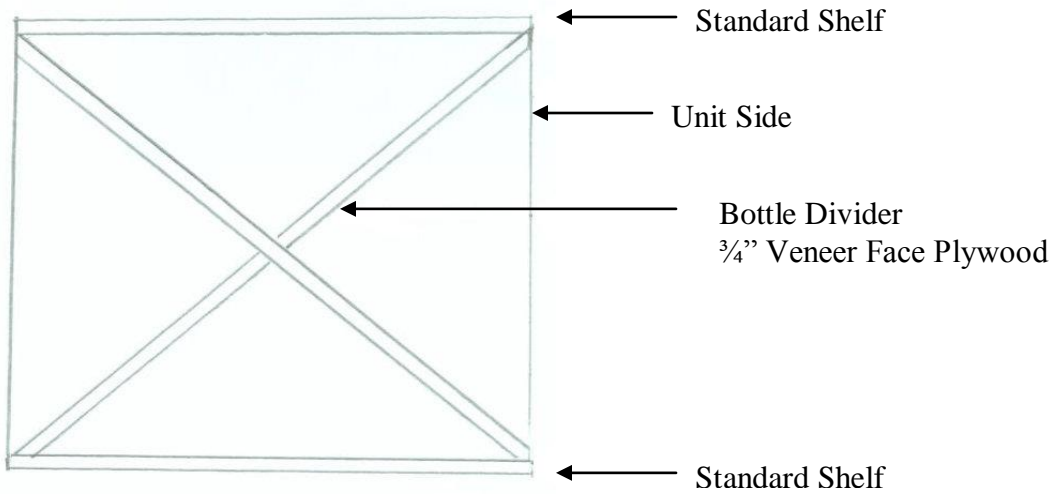
**Can Roll Out**

-- All the Right Spaces --



### Vegetable Bin Pull Out

### Bottle Divider



Available for units **24"**  
**27"**  
**30"**

**\*Note: Width and height are equal**

-- All the Right Spaces --

**\* Special Notes \***

1. Cost of roll out option includes component only. You must add price of universal roll out receptor to price of roll out option.
2. All options include all clips necessary to install in unit.
3. All pieces are priced manufacturers list. Freight must be added, if applicable.
4. Finish and wood options—All units are priced as standard natural finish in Birch.

**Wood Options**

Birch	Standard	--
Oak	Upgrade	12%
Maple	Upgrade	15%
Cherry	Upgrade	30%

**Staining finish:** Natural finish is standard on any wood species.

**Stain color:**

	Birch	Oak	Maple	Cherry	Upgrade
Autumn Haze	X	X	X	X	10%
American Oak	X	X	X	X	10%
Burnt Sugar	X	X		X	10%

**NOTE:** Dealers will be given ample notice of any changes due to market price on hardwoods.

-- All the Right Spaces --

**Universal Roll out Receptor**



A	Box Height at back	Box Width	Face Front Size
18	---	----	----
21	4 3/4	18 7/8	1" x 4 3/4
24	4 3/4	21 7/8	1" x 4 3/4
27	4 3/4	24 7/8	1" x 4 3/4
30	4 3/4	27 7/8	1" x 4 3/4
33	4 3/4	30 7/8	1" x 4 3/4
36	4 3/4	33 7/8	1" x 4 3/4

**4" Drawer with divided option shown**



A	Box Height at back	Box Width	Face Front Size
18	---	----	----
21	3 1/2	14 3/8	4 5/8 x 18
24	3 1/2	17 3/8	4 5/8 x 21
27	3 1/2	20 3/8	4 5/8 x 24
30	3 1/2	23 3/8	4 5/8 x 27
33	3 1/2	26 3/8	4 5/8 x 30
36	3 1/2	29 3/8	4 5/8 x 33

**6" Drawer**



A	Box Height at back	Box Width	Face Front Size
18	---	----	----
21	5 1/2	14 3/8	6 5/8 x 18
24	5 1/2	17 3/8	6 5/8 x 21
27	5 1/2	20 3/8	6 5/8 x 24
30	5 1/2	23 3/8	6 5/8 x 27
33	5 1/2	26 3/8	6 5/8 x 30
36	5 1/2	29 3/8	6 5/8 x 33

-- All the Right Spaces --

**8" Drawer**



A	Box Height at back	Box Width	Face Front Size
18	----	----	----
21	7 1/2	14 3/8	8 5/8 x 18
24	7 1/2	17 3/8	8 5/8 x 21
27	7 1/2	20 3/8	8 5/8 x 24
30	7 1/2	23 3/8	8 5/8 x 27
33	7 1/2	26 3/8	8 5/8 x 30
36	7 1/2	29 3/8	8 5/8 x 33

**12" Drawer**



A	Box Height at back	Box Width	Face Front Size
18	----	----	----
21	11 1/2	14 3/8	12 5/8 x 18
24	11 1/2	17 3/8	12 5/8 x 21
27	11 1/2	20 3/8	12 5/8 x 24
30	11 1/2	23 3/8	12 5/8 x 27
33	11 1/2	26 3/8	12 5/8 x 30
36	11 1/2	29 3/8	12 5/8 x 33

**Shoe Shelf**



A	Box Height at back	Box Width	Face Front Size
18	3/4	15 7/8	1 1/2 x 15 7/8
21	3/4	18 7/8	1 1/2 x 18 7/8
24	3/4	21 7/8	1 1/2 x 21 7/8
27	3/4	24 7/8	1 1/2 x 24 7/8
30	3/4	27 7/8	1 1/2 x 27 7/8
33	3/4	30 7/8	1 1/2 x 30 7/8
36	3/4	33 7/8	1 1/2 x 33 7/8

-- All the Right Spaces --

**Trouser Roll Out**



A	Box Height at back	Box Width	Face Front Size
18	----	----	----
21	----	----	----
24	----	----	----
27	3 1/2	20 3/8	4 5/8 x 24
30	3 1/2	23 3/8	4 5/8 x 27
33	3 1/2	26 3/8	4 5/8 x 30
36	3 1/2	29 3/8	4 5/8 x 33

**Stand Roll Out  
Sweater Roll Out**



A	Box Height at back	Box Width	Face Front Size
18	----	----	----
21	----	----	----
24	5 1/2	17 3/8	3 3/4 x 21
27	5 1/2	20 3/8	3 3/4 x 24
30	5 1/2	23 3/8	3 3/4 x 27
33	5 1/2	26 3/8	3 3/4 x 30
36	5 1/2	29 3/8	3 3/4 x 33

**Flat Roll Out Shelf**



A	Box Height at back	Box Width	Face Front Size
18	----	----	----
21	1 1/2	14 3/8	4 5/8 x 18
24	1 1/2	17 3/8	4 5/8 x 21
27	1 1/2	20 3/8	4 5/8 x 24
30	1 1/2	23 3/8	4 5/8 x 27
33	1 1/2	26 3/8	4 5/8 x 30
36	1 1/2	29 3/8	4 5/8 x 33

-- All the Right Spaces --

**Purse and Pan Rack Divider**



A	Box Height at back	Box Width	Face Front Size	# of Spaces
18	----	----	----	----
21	16	18 7/8	16	3
24	16	21 7/8	16	4
27	16	24 7/8	16	4
30	16	27 7/8	16	5
33	16	30 7/8	16	5
36	16	33 7/8	16	6

**Trash or Laundry Roll Out with Door**



A	Box Height at back	Box Width	Face Front Size
18	----	----	----
21	----	----	----
24	----	----	----
27	----	----	----
30	7 1/2	23 3/8	27 x 28
33	7 1/2	26 3/8	30 x 28
36	7 1/2	29 3/8	33 x 28

**Trash or Laundry Roll Out No Door**



A	Box Height at back	Box Width	Face Front Size
18	----	----	----
21	----	----	----
24	----	----	----
27	1 1/2	20 3/8	4 5/8 x 24
30	1 1/2	23 3/8	4 5/8 x 27
33	1 1/2	26 3/8	4 5/8 x 30
36	1 1/2	29 3/8	4 5/8 x 33



-- All the Right Spaces --

**Wine Bottle Roll Out**



A	Box Height at back	Box Width	Face Front Size	Bottle Spaces
18	----	----	----	----
21	----	----	----	----
24	5 1/2	17 3/8	3 3/4 x 21	4
27	5 1/2	20 3/8	3 3/4 x 24	4
30	5 1/2	23 3/8	3 3/4 x 27	5
33	5 1/2	26 3/8	3 3/4 x 30	5
36	5 1/2	29 3/8	3 3/4 x 33	6

**Spice Roll Out**



A	Box Height at back	Box Width	Face Front Size
18	----	----	----
21	----	----	----
24	5 1/2	17 3/8	3 3/4 x 21
27	5 1/2	20 3/8	3 3/4 x 24
30	5 1/2	23 3/8	3 3/4 x 27
33	5 1/2	26 3/8	3 3/4 x 30
36	5 1/2	29 3/8	3 3/4 x 33

**Can Roll Out**



A	Box Height at back	Box Width	Face Front Size
18	----	----	----
21	----	----	----
24	5 1/2	17 3/8	3 3/4 x 21
27	5 1/2	20 3/8	3 3/4 x 24
30	5 1/2	23 3/8	3 3/4 x 27
33	5 1/2	26 3/8	3 3/4 x 30
36	5 1/2	29 3/8	3 3/4 x 33

-- All the Right Spaces --

**Vegetable Bin Roll Out**



A	Box Height at back	Box Width	Face Front Size
18	----	----	----
21	----	----	----
24	----	----	----
27	1 1/2	20 3/8	4 5/8 x 24
30	1 1/2	23 3/8	4 5/8 x 27
33	1 1/2	26 3/8	4 5/8 x 30
36	1 1/2	29 3/8	4 5/8 x 33

**Coming Soon:  
Watch for additional  
components for home office  
and nursery.**